

RAVAS-1100

Pallet truck scale with basic scale functions

BENEFITS:

- The RAVAS work horse
- Shock and vibration resistant
- Water tight for outdoor use
- Low power consumption
- For checking incoming goods and shipping weights

Top quality

For industrial use



RAVAS

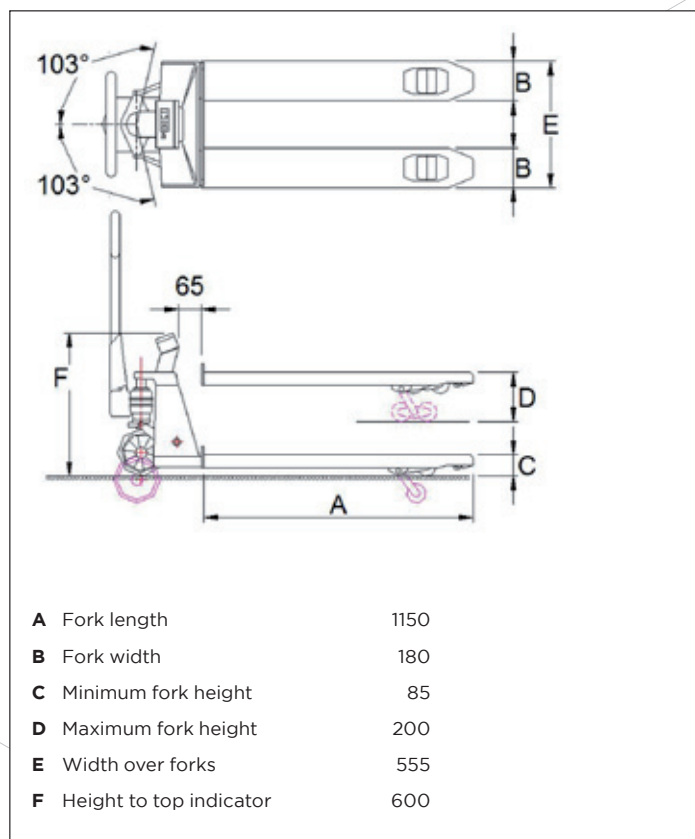
FUNCTIONS

- Automatic and manual zero correction
- Gross/net weighing
- Totalling with sequence number
- Error messages in display
- Automatic switch-off after 3 minutes of non-use
- Low battery warning in display

STANDARD SPECIFICATIONS

- Weighing capacity 2,000 kg
- Graduation 1 kg
- Max. inaccuracy 0.1% of the applied weight
- Display LCD, digit height 18 mm
- Keypad 3 function keys, on/off key
- Protection class load cells and cabling IP67, indicator IP65
- Steering wheels rubber
- Loading wheels polyurethane, tandem
- Colour red (RAL 3000), epoxy painted
- Own weight 104 kg
- Power supply 4 x 1.5V AA-batteries
- Battery life when used 5 times a day, the batteries last for a year

DIMENSIONS IN MM



PREMIUM OPTIONS*

- Built-in thermal printer

OPTIONS*

- Multirange graduation 0,5/1kg
- Stainless steel truck
- Footbrake

* The use of options may change related specifications.

RAVAS Europe B.V.

P.O. Box 2023, NL-5300 CA Zaltbommel, The Netherlands
 T. +31 (0)418 51 52 20, F. +31 (0)418-51 53 20
 backoffice@ravas.com, www.ravas.com

RAVAS